

New to Range Brake Pads February 2021



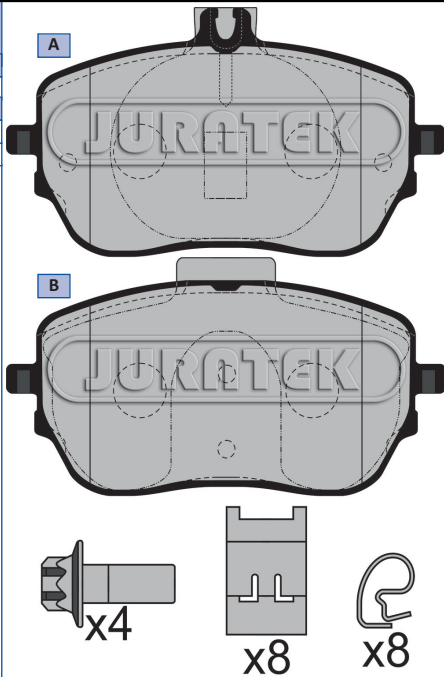
www.juratek.com

JCP8589

A-Width	A-Height	A-Thickness
72.2	133.8	18
B-Width	B-Height	B-Thickness
62.8	133.8	18
Application	Pos	F

MERCEDES-BENZ:

A-Class 18-
B-Class 18-
CLA 19-
GLA 19-

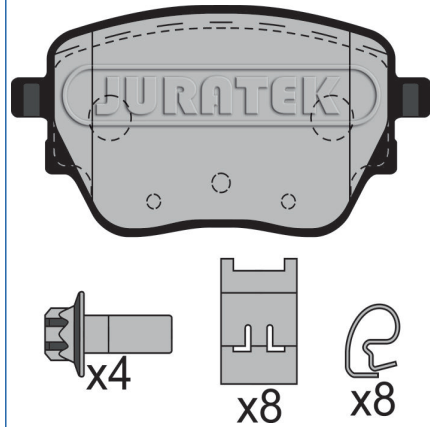


JCP8591

Width	Height	Thickness
48.7	105.8	16.5
Application	Pos	R

MERCEDES-BENZ:

A-Class 18-
B-Class 18-
CLA 19-
GLA 20-
GLB-Class 19-



APEC	Blueprint	Borg & Beck	Comline	Delphi	Mintex	QH	TRW
-	ADBP420015	BBP2808	-	LP3485	MDB4111	-	-
OEM	0004206902, 0004207000, A0004206902, A0004207000						

APEC	Blueprint	Borg & Beck	Comline	Delphi	Mintex	QH	TRW
-	ADBP420016	BBP2815	-	LP3438	MDB4109	-	-
OEM	0004204502, 0004207500, 0004207700, A0004204502, A0004207500, A0004207700						

JCP8604

Width	Height	Thickness
41	93.1	14.9
Application	Pos	R

HYUNDAI:

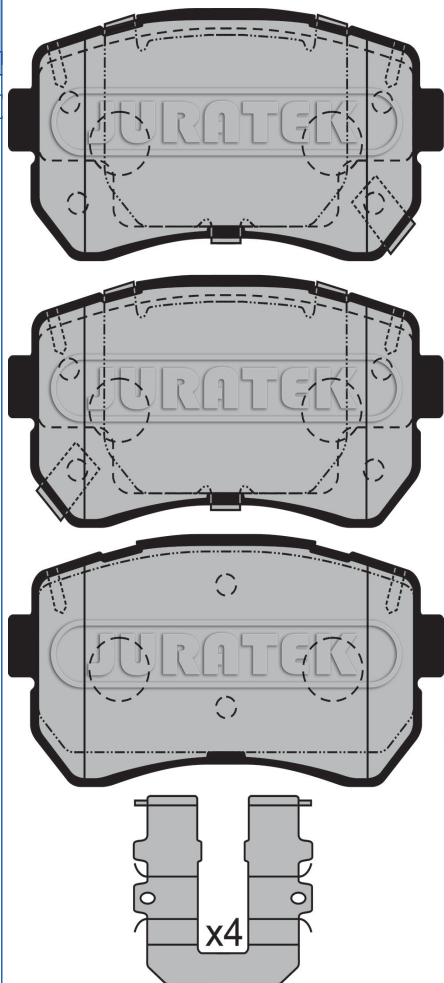
Tucson 15-

KIA:

Picanto 11-

Soul 14-

Sportage 15-



APEC	Blueprint	Borg & Beck	Comline	Delphi	Mintex	QH	TRW
PAD1955	-	BBP2647	-	LP3576	MDB3380	-	GDB3636
PAD2195	-	BBP2647	-	LP3576	MDB3380	-	GDB3636
PAD2218	-	BBP2647	-	LP3576	MDB3380	-	GDB3636
OEM	583021KA30, 583021YA50, 58302B2A50, 58302C2A10, 58302D7A00, 58302E6A10, 58302J9A00, 58302J9A50, 58302J9A70, 58302M0A00, 58302M0A10, S583021YA50						

